

LED REFRIGERATOR TUBE LIGHT

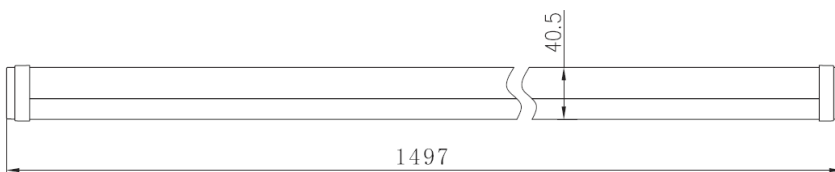
CALUS
E360710



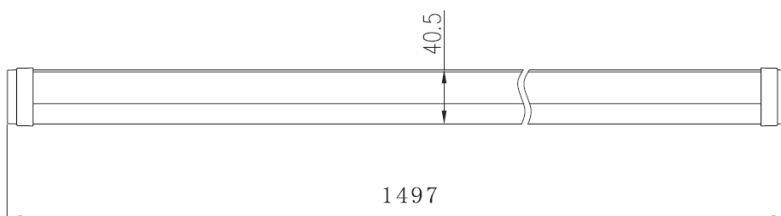
Feature

- No UV or RF interference, No mercury, no noise, no flickering.
- No ballast required wide voltage and constant current design.
- Long lifespan: more than 35,000 hours, Warranty: 1 year
- Instant on / Instant off.
- No Warm-up time. Instant - on with full - light output and stable color.
- Energy saving, Maintenance – free, Easy installation.
- Working Temperature: -4°F~104°F

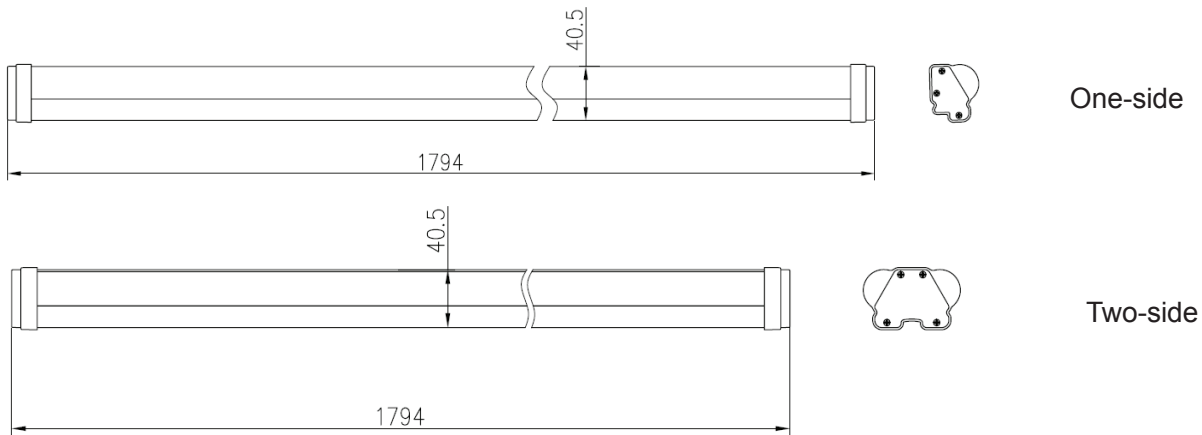
Dimension (mm)



One-side

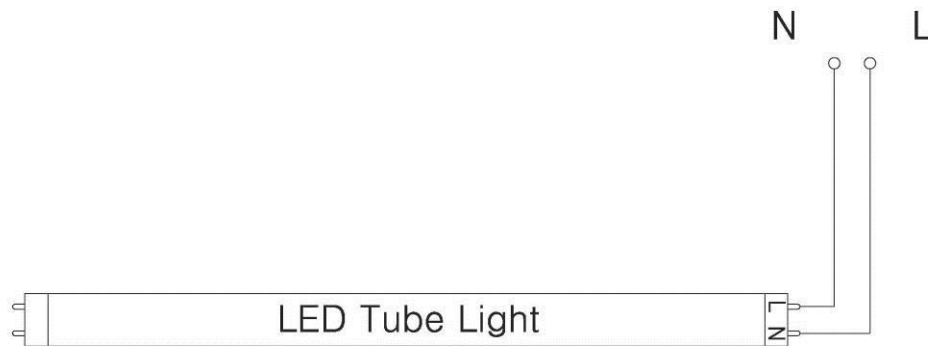


Two-side



Installation

Method 1 : Principle of wire circuit



Specification

Color temperature : ● Daylight white: 6000±250K

Item	Voltage	Wattage	LED Q'TY	Lumen	Lighting angle	PF	CRI	Cover	Size
RW-BX18W-002	AC100-277V	18W	110pcs	2050LM± 5%	120°	>0.9	>80	One-side Clear	1497± 1mm
RW-BX36W-002	AC100-277V	36W	220pcs	4100LM± 5%	120°	>0.9	>80	Two-side Clear	1497± 1mm
RW-BX18W-001	AC100-240V	18W	110pcs	1900LM± 5%	120°	>0.9	>80	One-side Clear	1794± 1mm
RW-BX36W-001	AC100-240V	36W	220pcs	3800LM± 5%	120°	>0.9	>80	Two-side Clear	1794± 1mm

Package

Item	Inner box dimension	Carton dimension	Q' ty
RW-BX18W-002	1525*75*50	1550*235*250	24pcs
RW-BX36W-002	1525*75*50	1550*235*250	12pcs
RW-BX18W-001	1820*75*50	1835*235*250	24pcs
RW-BX36W-001	1820*75*50	1835*235*250	12pcs

Test report

18W one-side

